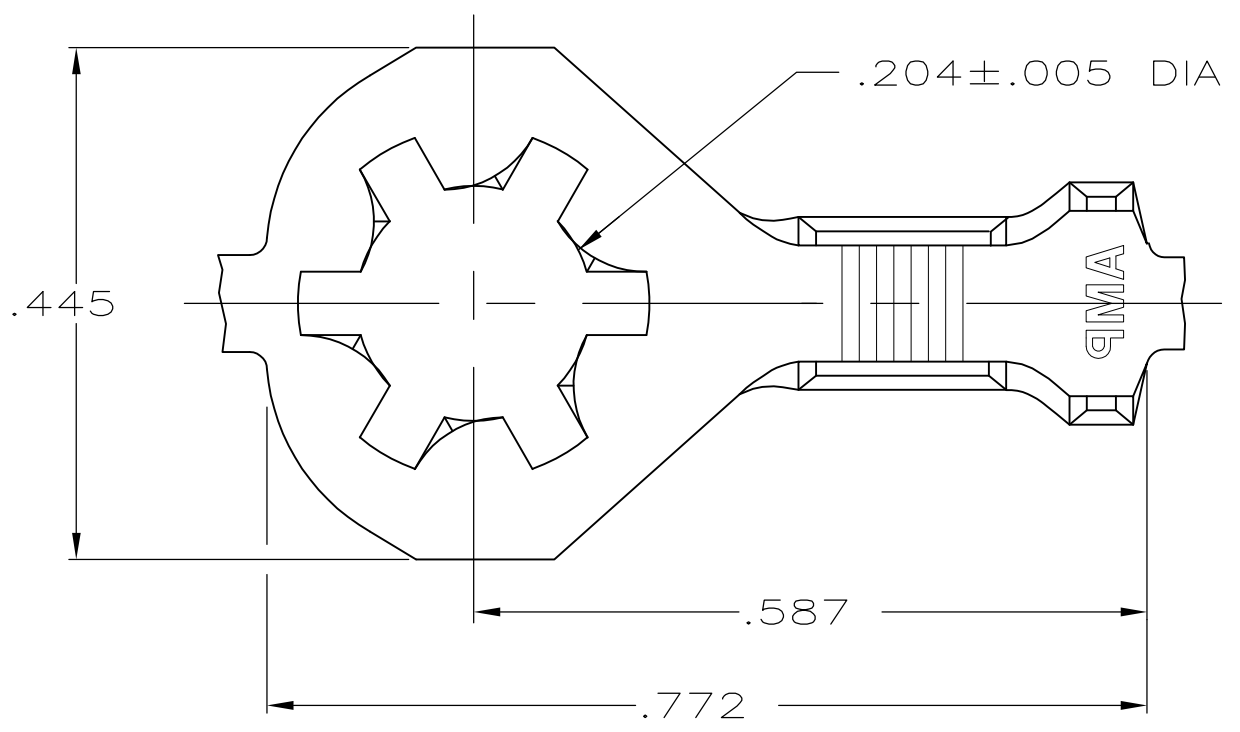
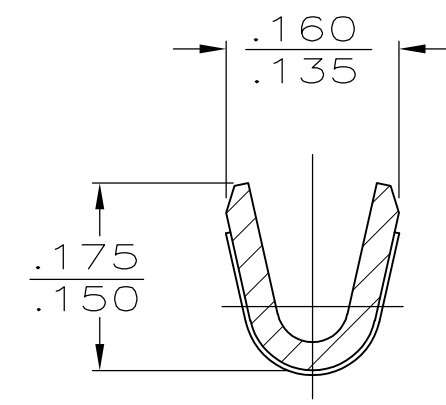


THIS DRAWING IS UNPUBLISHED. RELEASED FOR PUBLICATION  
 © COPYRIGHT - By - ALL RIGHTS RESERVED.

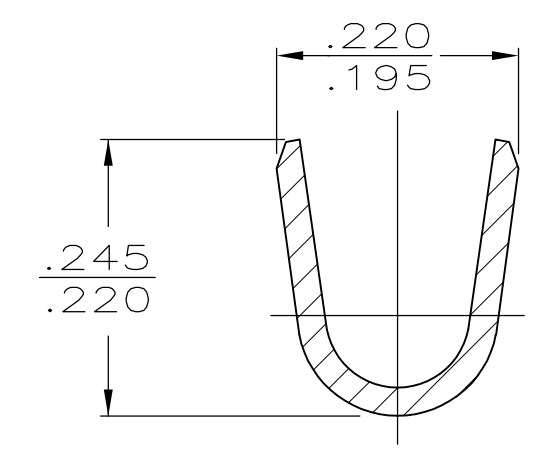
LOC	DIST	REVISIONS					
AF	50	P	LTR	DESCRIPTION	DATE	DWN	APVD
		B2		REVISED PER ECR-15-010442	14JULY2015	PK	TD



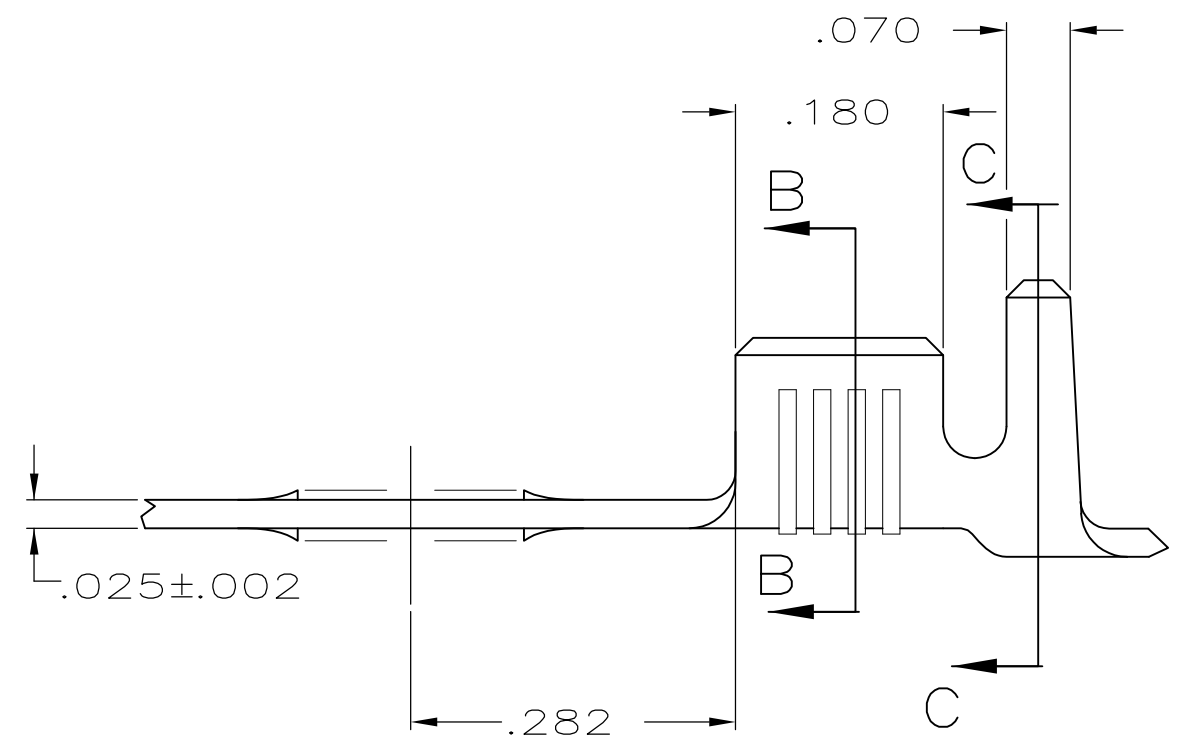
- 1 CONTINUOUS STRIP ON REELS
- 2 63482-4 REFERS TO 63482-1 WITH PAPER INTERLAYER.



SECTION B-B



SECTION C-C



<u>.105-.145</u> (2).110 STACKED	18-14	2 63482-4 63482-1
INSULATION RANGE	WIRE SIZE	PART NO

THIS DRAWING IS A CONTROLLED DOCUMENT.		DWN P FORTNEY 3/21/88	TE Connectivity				
DIMENSIONS: INCHES		CHK JR RUTH 3/23/88					
TOLERANCES UNLESS OTHERWISE SPECIFIED:		APVD D DECKER 3/23/88	NAME				
0 PLC ± - 1 PLC ± - 2 PLC ± - 3 PLC ± .015 4 PLC ± - ANGLES ± -		PRODUCT SPEC	RING				
MATERIAL T2 STEEL		FINISH TIN PL	APPLICATION SPEC	SIZE	CAGE CODE	DRAWING NO	RESTRICTED TO
						A3 00779 C-63482	
CUSTOMER DRAWING			WEIGHT	SCALE	SHEET	REV	
			-	6:1	1 OF 1	B2	